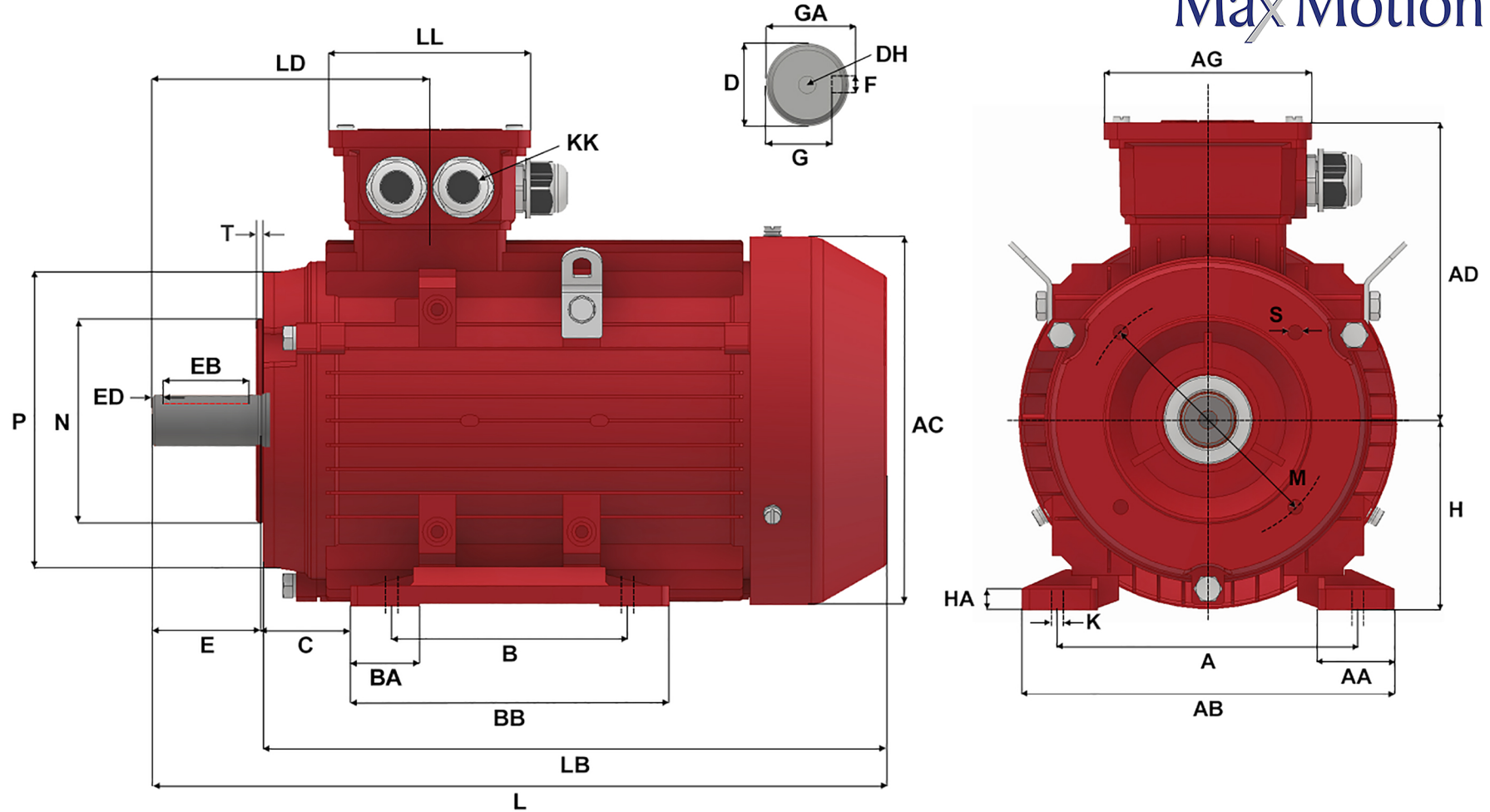


MaxMotion



Version: 1JLEM		Revised: 09-11-2019				HP	RPM	FRAME	ENCLOSURE	IJA132S2-2-B34A			
Customer is responsible in determining that Max Motion product will fit/perform suitably in the intended application						10	3515	132S	TEFC				
A	B	C	D	E	F	G	H	K	L	M	N	P	
216	140	89	38	80	10	33	132	12 X 16	445	165	130	200	
S	T	AA	AB	AC	AD	AG	BA	BB	DH	EB	ED	GA	
M10	3.5	51	262	258	188	117.5	46	186	M12 X 28	65	7.5	41	
HA	KK (1)	KK (2)	KK (3)	LB	LD	LL							
15	M32 X 1.5	3/4" NPT	M16 X 1.5	365	180	117.5							